

H.265+ Motorized Pro Bullet Network Camera



IP67 + IK10

Motorized Lens

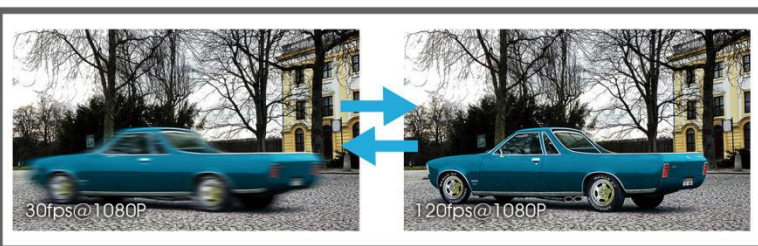
DATASHEET

KEY FEATURES

- ▶ **Smart Stream** (Bandwidth, storage and bit rate are saved with Smart Stream On, eg, H.265+ saves 70%~80% bandwidth that of H.264.)
- ▶ **Smart IR II** (Combining the High Beam and Low Beam to adjust IR intensity to fit different lighting conditions.)
- ▶ **HLC** (High Light Compensation. Improving image visibility under strong light sources.)
- ▶ **P-Iris** (Giving you a more clear scene with depth of view.)
- ▶ **Defog** (Defog technology. Restoring clear images in hazy and foggy weather.)
- ▶ **0.001Lux Starlight** (Deliver high detailed color images even in low light environment reaching 0.001Lux.)
- ▶ **256G** (Supporting ultra-large external microSD/SDHC/SDXC card storage up to 256G.)

30fps@4K

Providing 4K HD resolution with frame rate of 30fps, the camera performs well in catching detailed image regardless of the moving speed.

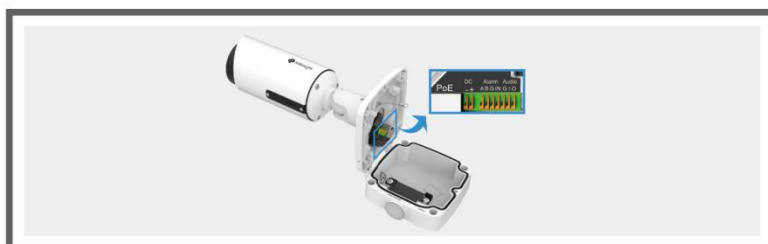
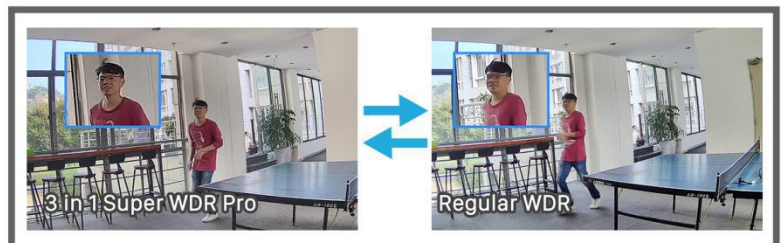


120fps

With the industry leading frame rate reaching 120fps, the cameras can easily catch images with no latency despite of the high-speed movement, which is the best choice for the demanding requirements especially for intelligent cameras.

3 in 1 Super WDR Pro - 140dB

Milesight upgraded 3 in 1 Super WDR Pro outputs three frames each line, which is able to bring more details especially moving subjects. What's more, it greatly improves image quality for reducing smear and noisy points. The ratio that the brightest light signal values divided by the darkest light signal values is up to 140dB.



Integrated Cable Management Bracket

In the base support, there are power interface, PoE port, Audio I/O and Alarm I/O interfaces. Thanks to the Integrated Cable Management, it takes no effort in installation. Besides, the creative clamshell design minimizes the installation troubles and enlarges the space to make cable connection a piece of cake.

H.265⁺ Motorized Pro Bullet Network Camera



	Model	MS-C2862-(R)F(I)PB (2MP)	MS-C2962-(Q)(T)(R)F(I)PB (2MP)	MS-C5362-(H)F(I)PB (5MP)
Camera	Image Sensor	1/2" Progressive Scan CMOS	1/2.8" Progressive Scan CMOS	
	Min. Illumination	Color: 0.001Lux@F1.2 B/W: 0Lux with IR on	Color: 0.002Lux@F1.2 B/W: 0Lux with IR on	Color: 0.005Lux@F1.2 B/W: 0Lux with IR on
	WDR	140dB Super WDR	140dB Super WDR (Super WDR Pro is optional for Q & T Series)	120dB Super WDR
	Shutter Time	1/100000s~1s		
	IR Distance	Up to 60m	Up to 60m(3.0~10.5mm/2.7~13.5mm) Up to 100m(7~22mm)	
	Day&Night S/N	ICR Filter Auto Switch >55dB		
Lens	Lens	Motorized 3.6~10mm @F1.4 P-Iris(Optional)	Motorized 3.0~10.5mm/2.7~13.5mm/7~22mm @F1.4 P-Iris(Optional)	
	Field of View	H96°~H42°/ D111°~D48°/ V55°~V23°	H93°~H33°/D107°~D38° /V52°~V18° (3.0~10.5m) H92°~H32°/D107°~D37° /V51°~V18° (2.7~13.5mm) H40°~H16°/D46°~D19° /V23°~V9° (7~22mm)	H90°~H31°/ D114°~D38° /V67°~V23°(3.0~10.5mm) H89°~H30°/D111°~D37° /V66°~V22° (2.7~13.5mm) H37°~H15°/D47°~D19° /V28°~V11° (7~22mm)
	Mount	Φ14		
	Focus Control	Auto/Manual		
	Iris Control (Optional for I Series)	Auto/Manual		
	Video	Max. Image Resolution	1920x1080	
Primary Stream		60fps@(1920x1080) (Optional for R Series), 30fps@(1920x1080, 1280x960,1280x720, 704x576)	120fps@(1920x1080) (Optional for Q Series), 90fps@(1920x1080) (Optional for T Series), 60fps@(1920x1080) (Optional for R Series), 30fps@(1920x1080, 1280x960,1280x720, 704x576)	30fps@(2592x1944), 45fps@(2048x1536), 60fps@(1920x1080) (Optional for H Series), 20fps@(2592x1944), 30fps@(2048x1536, 1920x1080, 1280x960, 1280x720, 704x576)
Secondary Stream		30fps@(704x576, 640x480, 640x360, 352x288, 320x240, 320x192, 320x180)		
Tertiary Stream		30fps@(1920x1080, 1280x720, 704x576, 640x480, 640x360, 320x240, 320x192, 320x180)		
Video Compression		H.265 ⁺ /H.265(HEVC)/H.264 ⁺ /H.264/MJPEG		
Video Bit Rate		16Kbps~16Mbps(CBR/VBR Adjustable)		
Image Setting		Brightness/Contrast/Saturation/Sharpness		
Network	Ethernet	1*RJ45 10M/100M Ethernet Port		
	Network Storage	NAS(Support NFS, SMB/CIFS)		
	Protocol	IPv4/IPv6, ARP, TCP, UDP, RTP, RTSP, RTCP, HTTP, HTTPS, DNS, DDNS, DHCP, FTP, NTP, SMTP, SNMP, UPnP, Bonjour, SIP, PPPoE, VLAN, 802.1x, QoS, IGMP, ICMP, SSL		
Audio	Audio Compression	G.711/AAC/G.722/G.726		
	Audio I/O	1/1		
System	Alarm I/O	1/1		
	Storage	Support microSD/SDHC/SDXC Card Local Storage, up to 256G Privacy Masking, BLC, HLC, 2D DNR, 3D DNR, ROI,		
	Advanced Function	Defog, AWB, EIS, IP Address Filtering, AGC, Anti-flicker, Corridor Mode, Deblur		
	SIP/VoIP Support	Yes, Voice & Video-over-IP		
	Event Trigger	Motion Detection, Network Disconnection, External Input, Audio Alarm, etc.		
	Event Action	FTP Upload, SMTP Upload, SD Card Record, External Output, SIP Phone, HTTP Notification, etc.		
	Video Analysis (Optional)	Region Entrance, Region Exiting, Advanced Motion Detection, Tamper Detection, Line Crossing, Loitering, Human Detection, People Counting, Object Left, Object Removed		
System Compatibility	ONVIF Profile S & G & T			
General	Working Temperature	-40°C~60°C		
	Working Humidity	0~90%(Non-condensing)		
	Power Supply	PoE (802.3af)/ DC 12V±10%		
	Power Consumption	6W MAX 10W MAX(With IR on)	6W MAX 10.5W MAX(With IR on)	5W MAX 9W MAX(With IR on)
	Housing	Vandal-proof IK10-rated Metal Housing (Optional) / Up to IP67-rated for Weather-resistant Performance		
	Weight	1080g		
	Dimensions	134mmX126mmX285mm		
Warranty	3/5 Years			

H.265⁺ Motorized Pro Bullet Network Camera

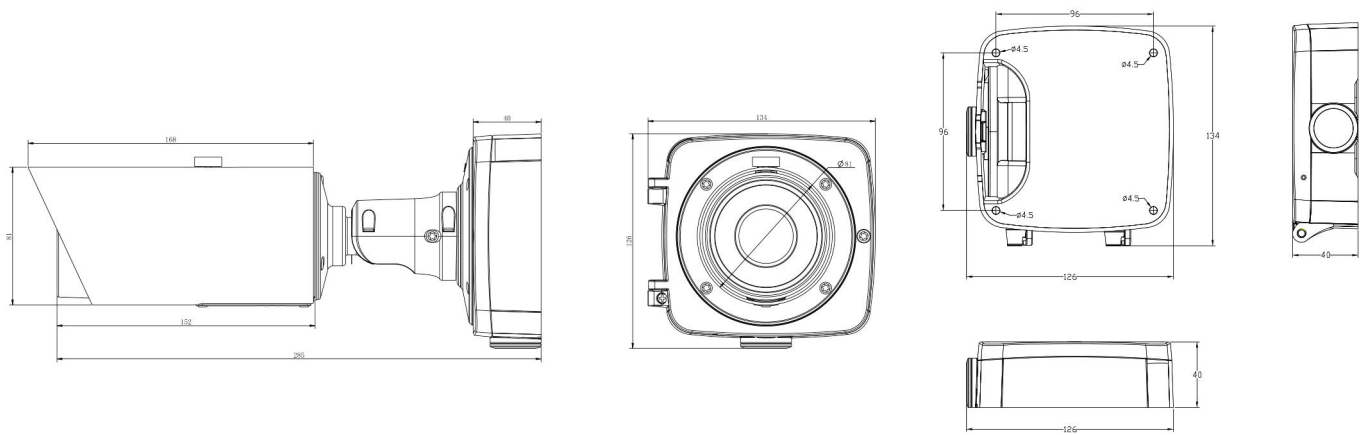
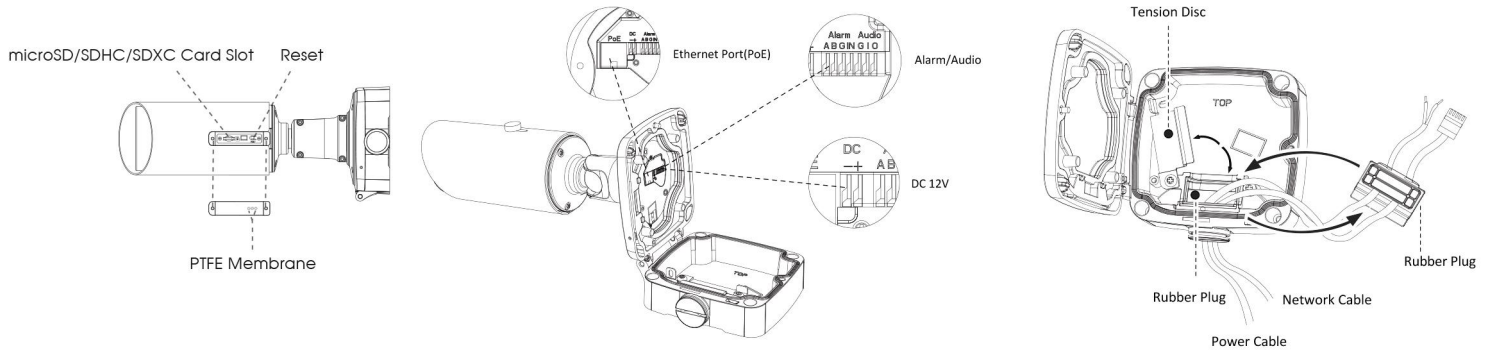


	Model	MS-C8162-(H)F(I)PB (4K)	MS-C8262-F(I)PB (4K)	
Camera	Image Sensor	1/2.8" Progressive Scan CMOS	1/1.8" Progressive Scan CMOS	
	Min. Illumination	Color: 0.01Lux@F1.2 B/W: 0Lux with IR on	Color: 0.006Lux@F1.2 B/W: 0Lux with IR on	
	WDR		120dB Super WDR	
	Shutter Time		1/100000s~1s	
	IR Distance		Up to 60m	
	Day&Night S/N		ICR Filter Auto Switch >55dB	
Lens	Lens	Motorized 2.7~13.5mm @F1.4 P-Iris(Optional)	Motorized 3.6~10mm @F1.4 P-Iris(Optional)	
	Field of View	H96°~H33°/D112°~D37°/V53°~V18°	H110°~H46°/D126°~D54°/V61°~V25°	
	Mount		Φ14	
	Focus Control		Auto/Manual	
	Iris Control (Optional for I Series)		Auto/Manual	
Video	Max. Image Resolution		3840x2160	
	Primary Stream	30fps@(3840x2160)(Optional for H Series), 15fps@(3840x2160), 30fps@(3072x2048, 2592x1944, 2592x1520, 2048x1536, 1920x1080, 1280x960, 1280x720, 704x576)	30fps@(3840x2160, 3072x2048, 2592x1944, 2592x1520, 2048x1536, 1920x1080, 1280x960, 1280x720, 704x576)	
	Secondary Stream		30fps@(704x576, 640x480, 640x360, 352x288, 320x240, 320x192, 320x180)	
	Tertiary Stream		30fps@(1920x1080, 1280x720, 704x576, 640x480, 640x360, 320x240, 320x192, 320x180)	
	Video Compression		H.265+/H.265(HEVC)/H.264+/H.264/MJPEG	
	Video Bit Rate		16Kbps~16Mbps(CBR/VBR Adjustable)	
	Image Setting		Brightness/Contrast/Saturation/Sharpness	
Network	Ethernet		1*RJ45 10M/100M Ethernet Port	
	Network Storage		NAS(Support NFS, SMB/CIFS)	
	Protocol		IPv4/IPv6, ARP, TCP, UDP, RTP, RTSP, RTCP, HTTP, HTTPS, DNS, DDNS, DHCP, FTP, NTP, SMTP, SNMP, UPnP, Bonjour, SIP, PPPoE, VLAN, 802.1x, QoS, IGMP, ICMP, SSL	
Audio	Audio Compression		G.711/AAC/G.722/G.726	
	Audio I/O		1/1	
System	Alarm I/O		1/1	
	Storage		Support microSD/SDHC/SDXC Card Local Storage, up to 256G	
	Advanced Function		Privacy Masking, BLC, HLC, 2D DNR, 3D DNR, ROI, Defog, AWB, EIS, IP Address Filtering, AGC, Anti-flicker, Corridor Mode, Deblur	
	SIP/VoIP Support		Yes, Voice & Video-over-IP	
	Event Trigger		Motion Detection, Network Disconnection, External Input, Audio Alarm, etc.	
	Event Action		FTP Upload, SMTP Upload, SD Card Record, External Output, SIP Phone, HTTP Notification, etc.	
	Video Analysis (Optional)		Region Entrance, Region Exiting, Advanced Motion Detection, Tamper Detection, Line Crossing, Loitering, Human Detection, People Counting, Object Left, Object Removed	
System Compatibility		ONVIF Profile S & G & T		
General	Working Temperature		-40°C~60°C	
	Working Humidity		0~90%(Non-condensing)	
	Power Supply		PoE (802.3af) / DC 12V±10%	
	Power Consumption	5.4W MAX 8.2W MAX (With IR on)		6.3W MAX 9W MAX (With IR on)
	Weather Proof		Up to IP67-rated for Weather-resistant Performance	
	Housing		Vandal-proof IK10-rated Metal Housing (Optional)	
	Weight		1080g	
	Dimensions		134mmX126mmX285mm	
	Warranty		3/5 Years	

H.265+ Motorized Pro Bullet Network Camera



Structure Diagrams



Units: mm

Accessories Support

A01 Pole Mount

Weight: 720g
Dimensions: 170*51.5*152.6mm



A02 Internal Corner Bracket

Weight: 540g
Dimensions: 170*23.2*205.3mm



A03 External Corner Bracket

Weight: 900g
Dimensions: 170*152.6*76.3mm



A62 Junction Box

Weight: 510g
Dimensions: 134*127*40mm



Milesight Technology Co.,Ltd. | www.milesight.com

Contact Us: sales@milesight.com | support@milesight.com

Add: 220 NE 51st Street, Oakland Park, Florida 33334, USA
Tel: +1-800-561-0485

Add: 925, Anyang SK V1 Center, LS-ro 116beon-gil, Dongan-gu, Anyang-si, Korea
Tel: +82-31-990-7772

Add: No.23 Wanghai Road, 2nd Software Park, Xiamen, China
Tel: +86-592-5922772

