

H.265+ Weather-proof Mini Dome Network Camera



IP67
IK10

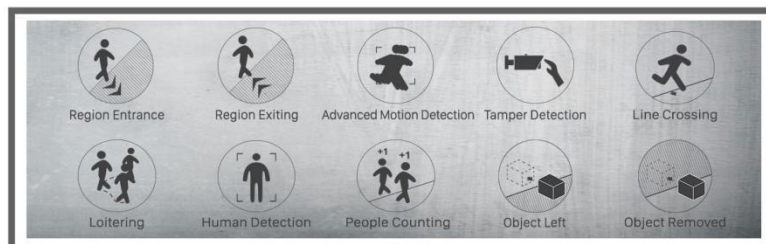
DATASHEET

KEY FEATURES

- ▶ **Smart Stream** (Bandwidth, storage and bit rate are saved with Smart Stream ON, eg. H.265+ saves 70%~80% bandwidth that of H.264.)
- ▶ **Smart IR II** (Combining the High Beam and Low Beam to adjust IR intensity to fit different lighting conditions.)
- ▶ **Advanced Functions** (Boasting to support various advanced functions such as HLC, Defog, ROI.)
- ▶ **Built-in Microphone** (Supporting audio function to hear what is happening in front of the camera.)
- ▶ **SIP** (Session Initiation Protocol. Providing audio/alarm/intercom and video streaming for mobile phones and video phones.)
- ▶ **3-Axis Mechanical Design** (Featuring 3-axis mechanical design for fast and easy adjustment of the camera's viewing angle.)

Video Content Analysis

Milesight VCA with 10 detection modes provides advanced, accurate smart video analysis for Milesight network cameras, enabling the comprehensive surveillance function and quicker response to different monitoring scenes.



0.002Lux Ultra Low-light

The starlight camera is able to deliver high detailed color images even in low light environment reaching 0.002Lux(Color) or 0Lux(B/W), and near infrared light environments without any supplementary lighting.

140dB Super WDR

Milesight's sensor-based WDR technology allows the camera to record greater scene details with true color reproduction even under the extreme back light and high contrast conditions. The ratio that the brightest light signal values divided by the darkest light signal values is up to 140dB.



IP67&IK10

Supporting IP67-rated weather proofing and IK10-rated vandal proof which are the leading level of the industry, the camera is well protected against adverse impact to ensure the performance.

H.265⁺ Weather-proof Mini Dome Network Camera



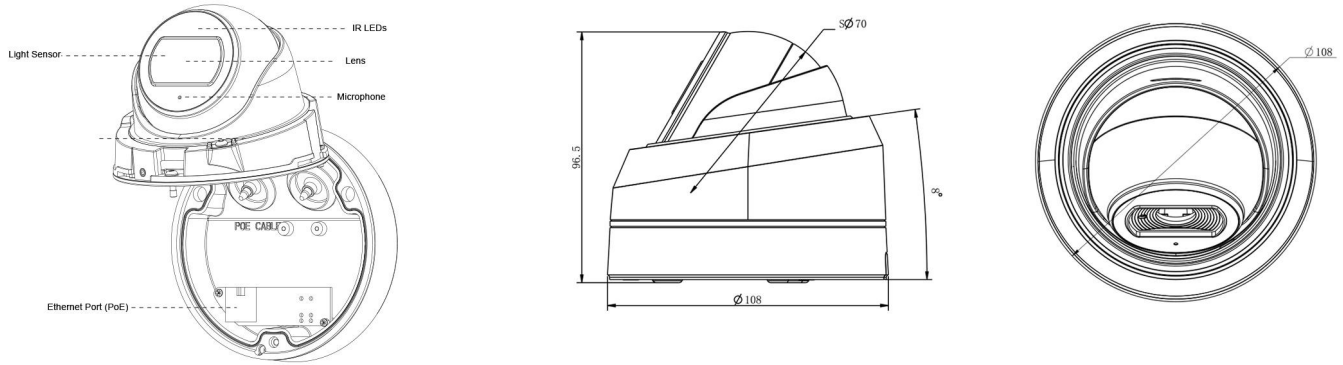
| | Model | MS-C2975-PB (2MP) | MS-C5375-PB (5MP) |
|----------------|---------------------------|---|--|
| Camera | Image Sensor | 1/2.8" Progressive Scan CMOS | |
| | Min. Illumination | Color: 0.002Lux@F1.2 B/W: 0Lux with IR on | Color: 0.005Lux@F1.2 B/W: 0Lux with IR on |
| | WDR | 140dB Super WDR | 120dB Super WDR |
| | Lens | 2.8mm @F2.0 / 3.2mm @F2.2 / 3.6mm @F2.2 | |
| | Mount | M12 | |
| | Field of View | H123°/D142°/V68°(2.8mm) H108°/D126°/V59°(3.2mm) H90°/D105°/V48°(3.6mm) | H113°/D144°/V84°(2.8mm) H98°/D124°/V73°(3.2mm) H82°/D105°/V60°(3.6mm) |
| | Shutter Time | 1/100000s~1s | |
| | IR Distance | Up to 25m | |
| | Day&Night | ICR Filter Auto Switch | |
| | S/N | >55dB | |
| Video | Max. Image Resolution | 1920x1080 | 2592x1944 |
| | Primary Stream | 30fps@(1920x1080, 1280x960, 1280x720, 704x576) | 20fps@(2592x1944), 30fps@(2048x1536, 1920x1080, 1280x960, 1280x720, 704x576) |
| | Secondary Stream | 30fps@(704x576, 640x480, 640x360, 352x288, 320x240, 320x192, 320x180) | |
| | Tertiary Stream | 30fps@(1920x1080, 1280x720, 704x576, 640x480, 640x360, 320x240, 320x192, 320x180) | |
| | Video Compression | H.265 ⁺ /H.265(HEVC)/H.264 ⁺ /H.264/MJPEG | |
| | Video Bit Rate | 16Kbps~16Mbps(CBR/VBR Adjustable) | |
| | Image Setting | Brightness/Contrast/Saturation/Sharpness | |
| Network | Ethernet | 1*RJ45 10M/100M Ethernet Port | |
| | Network Storage | NAS(Support NFS, SMB/CIFS) | |
| | Protocol | IPv4/IPv6, ARP, TCP, UDP, RTP, RTSP, RTCP, HTTP, HTTPS, DNS, DDNS, DHCP, FTP, NTP, SMTP, SNMP, UPnP, Bonjour, SIP, PPPoE, VLAN, 802.1x, QoS, IGMP, ICMP, SSL | |
| Audio | Audio Compression | G.711/AAC/G.722/G.726 | |
| | Audio Interface | Built-in Microphone | |
| System | Storage | Support microSD/SDHC/SDXC Card Local Storage, up to 256G | |
| | Advanced Function | Privacy Masking, BLC, HLC, 2D DNR, 3D DNR, ROI, Defog, AWB, EIS, IP Address Filtering, AGC, Anti-flicker, Corridor Mode, Deblur | |
| | SIP/VoIP Support | Yes, Voice & Video-over-IP | |
| | Event Trigger | Motion Detection, Network Disconnection, Audio Alarm, etc. | |
| | Event Action | FTP Upload, SMTP Upload, SD Card Record, SIP Phone, HTTP Notification, etc. | |
| | Video Analysis (Optional) | Region Entrance, Region Exiting, Advanced Motion Detection, Tamper Detection, Line Crossing, Loitering, Human Detection, People Counting, Object Left, Object Removed | |
| | System Compatibility | ONVIF Profile S & G & T | |
| General | Working Temperature | -40°C~60°C | |
| | Working Humidity | 0~90%(Non-condensing) | |
| | Power Supply | PoE (802.3af) | |
| | Power Consumption | 2.5W MAX 4W MAX (With IR on) | |
| | Housing | Vandal-proof IK10-rated Metal Housing / Up to IP67-rated for Weather-resistant Performance | |
| | Weight | 600g (Junction Box Version) / 410g (Cable Out Version) | |
| | Dimensions | Φ108mmX96.5mm (Junction Box Version) / Φ106mmX76.5mm (Cable Out Version) | |
| | Warranty | 3/5 Years | |

H.265+ Weather-proof Mini Dome Network Camera

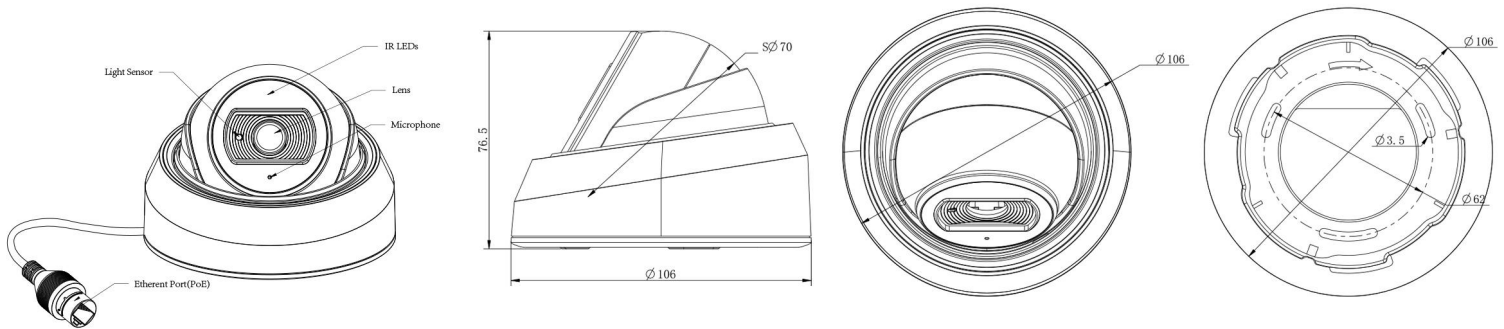


Structure Diagrams

Junction Box Version



Cable Out Version



Units: mm

Accessories Support

A01 Pole Mount

Weight: 720g
Dimensions: 170*51.5*152.6mm



A02 Internal Corner Bracket

Weight: 540g
Dimensions: 170*23.2*205.3mm



A03 External Corner Bracket

Weight: 900g
Dimensions: 170*152.6*76.3mm



A71 Wall Mount

Weight: 530g
Dimensions: 162*124*78 mm



A81 Recessed Mount

Weight: 450g
Dimensions: 168.9*168.9*91.3mm



Milesight Technology Co.,Ltd. | www.milesight.com

Contact Us: sales@milesight.com support@milesight.com

Add: 220 NE 51st Street, Oakland Park, Florida 33334, USA
Tel: +1-800-561-0485

Add: 925, Anyang SK V1 Center, LS-ro 116beon-gil, Dongan-gu, Anyang-si, Korea
Tel: +82-31-990-7772

Add: No.23 Wanghai Road, 2nd Software Park, Xiamen, China
Tel: +86-592-5922772

