

VKD HDW8341X BV 3D

3MP WizMind Dual-Lens Network Camera



Launched by Dahua Technology, Dahua WizMind is a full portfolio of solutions composed of project-oriented products including IPC, NVR, PTZ, XVR, Thermal and software platform which adopts industry-leading deep learning algorithms. Focusing on customer's requirements, WizMind provides precise, reliable and comprehensive AI solutions for verticals.

Series Overview

Equipped with advanced HiSilicon chip and fast lens, Dahua WizMind Dual-Lens series network camera provides excellent image effects. With advanced deep learning algorithm, the camera supports various intelligent functions, such as people counting, queue management, stereo analysis, perimeter protection and face detection, which provides better intelligent application solutions based on scenes.

Functions

Smart Codec (H.265+ & H.264+)

With advanced scene-adaptive rate control algorithm, Dahua smart encoding technology realizes the higher encoding efficiency than H.265 and H.264, provides high-quality video, and reduces the cost of storage and transmission.

Starlight

Dahua Starlight technology mainly applies to the environment of low illuminance, and it can provide clear colorful video. Even in the environment of ultra-low illuminance, the technology can guarantee the good image effect.

ePoE

Dahua ePoE technology provides a new way to accomplish long distance transmission between IP camera and network switch. It allows more flexible surveillance system design, improves reliability and saves construction and wiring cost.

Face Detection

Dahua Face Detection technology can detect the face in the image. With deep learning algorithm, the technology supports detecting, tracking, capturing and selecting the best face image, and then outputs face snapshot.

- 3MP, 1/2.8" CMOS image sensor, low illuminance, high image definition
- Outputs max. 3MP (2048 × 1536) @30 fps
- ROI, SMART H.264+/H.265+, flexible coding, applicable to various bandwidth and storage environments
- Stereo analysis: Fall detection, people approaching detection, people No. error, stay detection, and violence detection
- Alarm: 2 in, 2 out; audio: 2 in, 1 out; 485; BNC; supports max. 256 G
- Micro SD card, built-in Mic and speaker. Siren active deterrence, built-in 8 voices, and user can import custom voices.
- 12V DC/PoE power supply
- IP67, IK10 protection



Perimeter Protection

With deep learning algorithm, Dahua Perimeter Protection technology can recognize human and vehicle accurately. In restricted area (such as pedestrian area and vehicle area), the false alarms of intelligent detection based on target type (such as tripwire, intrusion, fast moving, parking detection, loitering detection and gathering detection) are largely reduced.

Stereo Analysis

With deep learning algorithm and scene 3-dimensional information, Dahua Stereo Analysis technology can recognize people's behaviors, such as Fall detection; people approaching detection; people No. error; stay detection; violence detection, and then generates alarm signals and triggers linkage.

Protection (IP67, IK10, wide voltage)

IP67: The camera passes a series of strict test on dust and soak. It has dust-proof function, and the enclosure can works normal after soaking in 1 m deep water for 30 minutes.

IK10: The enclosure can stand the punch more than 5 times from a 5 kg hammer falling from a height of 40 cm (Impact energy is 20J).

Wide voltage: The camera allows ±30% input voltage tolerance (wide voltage range), and it is widely applied to outdoor environment with instable voltage.

Technical Specification

Camera

Image Sensor	1/2.8"3Megapixel progressive CMOS
Max. Resolution	2048 (H) × 1536 (V)
ROM	4 GB
RAM	2 GB
Scanning System	Progressive
Electronic Shutter Speed	Auto/Manual 1/3 s–1/100,000 s
Min. Illumination	0.005 Lux @F1.6
S/N Ratio	>56 dB
Illumination Distance	20 m (IR) (65.6 ft)
Illuminator On/Off Control	Auto/Manual
Illuminator Number	1 (IR)
Pan/Tilt/Rotation Range	Tilt: 0°–70°

Lens

Lens Type	Fixed-focal				
Mount Type	M12				
Focal Length	2.8 mm; 3.6 mm				
Max. Aperture	2.8 mm: F1.6 3.6 mm: F1.6				
Field of View	2.8 mm: Horizontal 96° × Vertical 70° × Diagonal 128° 3.6 mm: Horizontal 79° × Vertical 57° × Diagonal 104°				
Iris Type	Fixed				
Close Focus Distance	2.8 mm: 0.7 m (2.3 ft) 3.6 mm: 1.3 m (4.3 ft)				
DORI Distance	Lens	Detect	Observe	Recognize	Identify
	2.8mm	44.8 m (147 ft)	17.9 m (58.7 ft)	9.0 m (29.5 ft)	4.5 m (42.0 ft)
	3.6mm	64.0 m (210.0 ft)	25.6 m (84.0 ft)	12.8 m (42.0 ft)	6.4 m (21.0 ft)

Smart Event

IVS	Abandoned object; missing object
-----	----------------------------------

Professional, intelligent

IVS (Perimeter Protection)	Tripwire, intrusion, fast moving (the three functions support the classification and accurate detection of vehicle and human), loitering detection, people gathering, parking detection
Face Detection	Face detection; track; optimization; snapshot; report high quality picture; face enhancement; face exposure; face attribute extract, 6 attributes and 5 expressions: Gender, age, glasses, expressions (anger, calm, happiness, sadness, surprise), mask, beard; face matting setting: face, single inch photo; three snapshot methods: real-time snapshot, optimization snapshot, quality priority; face angle filter; optimization time setting
Stereo Analysis	Fall detection; people approaching detection; people No. error; stay detection; violence detection
Intelligent Search	Work together with Smart NVR to perform refine intelligent search, event extraction and merging to event videos.

Video

Video Compression	H.265; H.264; H.264H; H.264B; MJPEG (only supported by the sub stream)
Smart Codec	Smart H.264+ Smart H.265+
Video Frame Rate	Main stream: 3MP (1–25/30 fps) Sub stream: D1 (1–25/30 fps) Third stream: 2MP (1–25/30 fps) Fourth stream: 2MP (1–25/30 fps) Fifth stream: D1 (1–25/30 fps)
Stream Capability	5 streams
Resolution	3M (2048 × 1536); 1080p (1920 × 1080); 720p (1280 × 720); D1 (704 × 576/704 × 480); CIF (352 × 288/352 × 240); 640 × 480 (VGA)
Bit Rate Control	CBR/VBR
Video Bit Rate	H.264: 3 kbps–17664 kbps H.265: 3 kbps–17664 kbps
Day/Night	Auto (ICR)/Color/B/W
BLC	Yes
HLC	Yes
WDR	DWDR
White Balance	Auto/natural/street lamp/outdoor/manual/regional custom
Gain Control	Auto/Manual
Noise Reduction	3D DNR
Motion Detection	OFF/ON (4 areas, rectangular)
Region of Interest (RoI)	Yes (4 areas)
Smart Illumination	Yes
Defog	Yes
Privacy Masking	4 areas

Audio

Built-in MIC	Yes
Audio Compression	G.711a; G.711Mu; G.726; AAC; G.723
Built-in Speaker	Yes

Alarm

Alarm Event	No SD card; SD card full; SD card error; network disconnection; IP conflict; illegal access; motion detection; video tampering; tripwire; intrusion; fast moving; abandoned object; missing object; loitering detection; people gathering; parking detection; scene changing; audio detection; voltage detection; external alarm; face detection; people counting exception detection; fall detection; people approaching detection; violence detection; stay detection; safety exception
-------------	---

Network

Network	RJ-45 (10/100 Base-T)
SDK and API	Yes
Protocol	IPv4; IPv6; HTTP; HTTPS; TCP; UDP; ARP; RTP; RTSP; RTCP; RTMP; SMTP; FTP; SFTP; DHCP; DNS; DDNS; QoS; UPnP; NTP; Multicast; ICMP; IGMP; NFS; SAMBA; PPPoE; 802.1x; SNMP
Interoperability	ONVIF (Profile S/Profile G/Profile T); CGI; Milestone; Genetec; P2P; RTMP

User/Host	20
Storage	FTP; SFTP; Micro SD card (support max. 256 G); NAS
Browser	IE9; IE11; FireFox; Chrome
Management Software	Smart PSS; DSS; NVR; IVSS
Mobile Phone	IOS; Android

Certification

Certification	CE-LVD: EN62368-1 CE-EMC: Electromagnetic Compatibility Directive 2014/30/EU FCC: 47 CFR FCC Part 15, Subpart B UL/CUL: UL60950-1 CAN/CSA C22.2 No.60950-1-07
---------------	--

Port

RS-485	1 (baud rate range: 1200 bps–115200 bps)
Audio Input	2 channels (RCA port)
Audio Output	1 channel (RCA port)
Alarm Input	2 channels in: 5mA 3V–5V DC
Alarm Output	2 channels out: 1,000mA 30V DC/500mA 50V DC

Power

Power Supply	12V DC/PoE
Power Consumption	Basic power consumption: 3.5W (12V DC); 4.4W (PoE) Max. power consumption (ICR switch + IR full intensity + WDR + Intelligent functions enabled): 9.1W (12V DC); 10.6W (PoE)

Environment

Operating Conditions	-40°C to +60°C/Less than 95% RH
Storage Temperature	-40°C to +60°C (-40°F to +140°F)
Ingress Protection	IP67; IK10

Structure

Casing	Metal
Dimensions	204.0 mm × 78.0 mm × 61.5 mm (8.0" × 3.1" × 2.4") (L × W × H)
Net Weight	0.81 kg (1.8 lb)
Gross Weight	1.19 kg (2.6 lb)

Accessories (Optional)	PFB110W	Ceiling Mount/Wall Mount
	PFA152-E	Pole Mount

Accessories

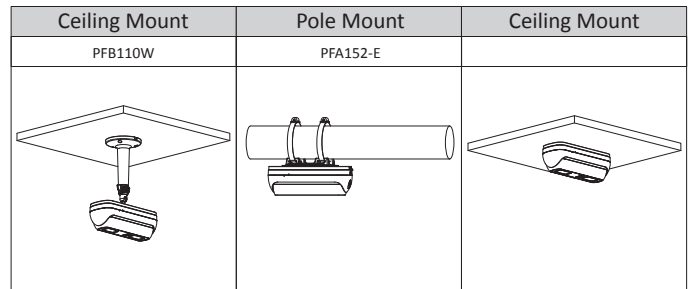
Optional



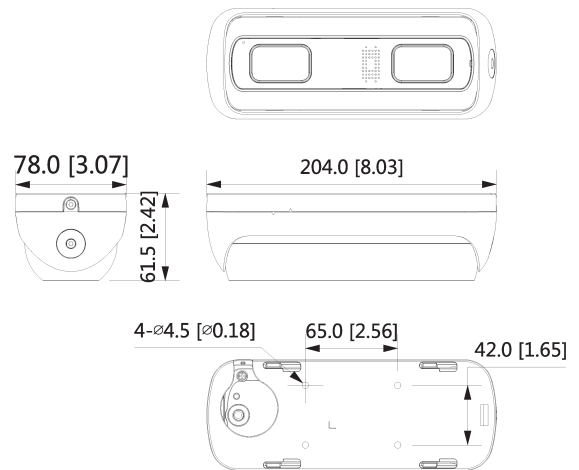
PFB110W
Ceiling Mount/Wall Mount



PFA152-E
Pole Mount



Dimensions (mm[inch])



Distribuito da

